

SCHLICK 100-200和586系列喷 SCHLICK Series 100-200 and 586

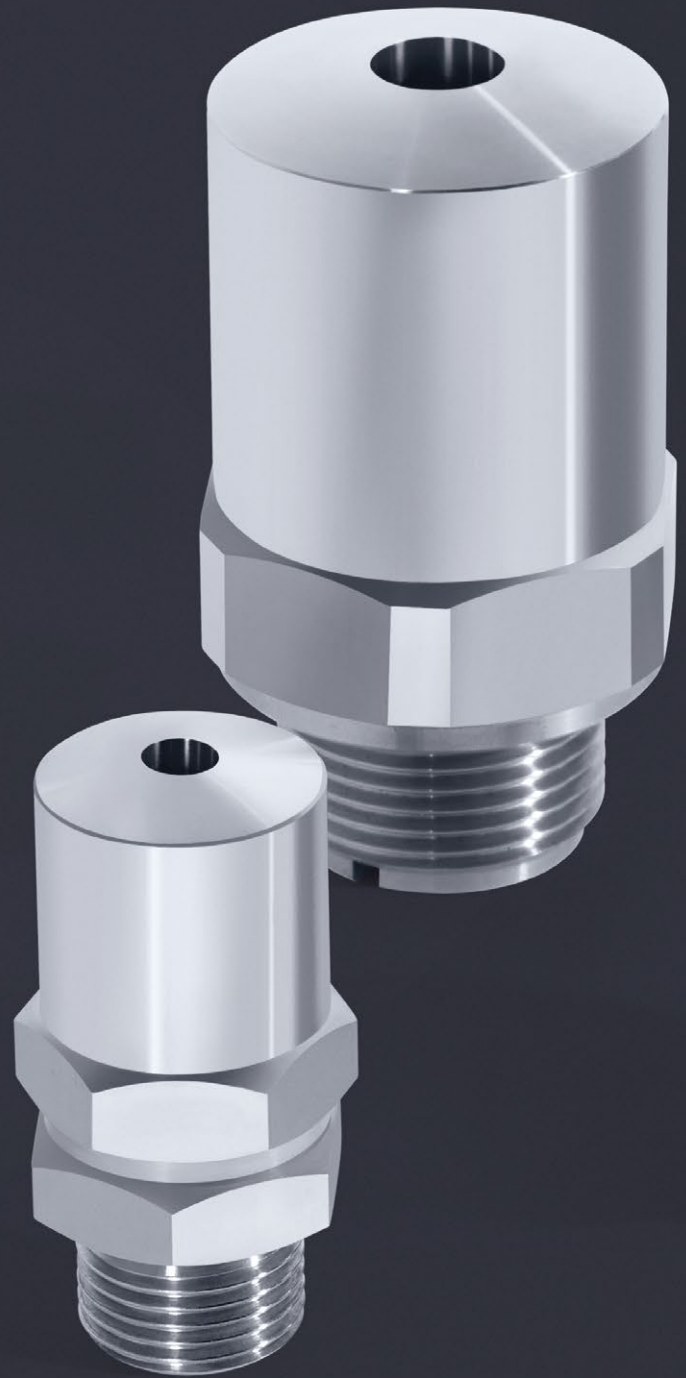
Mod. 100-200, 586

● SCHLICK空心锥喷嘴几乎能为所有雾化应用场合提供完美的解决方案

The wide range of SCHLICK hollow-cone nozzles offers perfect solutions for almost every application possible

● 多种尺寸和各种材料可供选择,以满足各种不同要求

Very varied sizes and a large choice of materials complement the comprehensive range on offer and can meet any requirements



材质

- 耐酸不锈钢
- 耐高温不锈钢
- 黄铜
- 哈氏合金
- 铬镍合金
- 聚丙烯
- 聚四氟乙
- 聚氯乙烷
- 聚偏氟乙烷
- 超高分子量聚乙烯
- 钽
- 钛
- 其他客户指定材料

Materials

- Acid resistant stainless steel
- Heat resistant stainless steel
- Brass
- Hastelloy
- Inconel
- PP
- PTFE
- PVC
- PVDF
- RCH 1000
- Tantalum
- Titanium
- Custom materials available on request

如有技术变更,恕不另行通知。

压力式喷嘴/空心锥喷嘴

Pressure Nozzles / Hollow-Cone



● 雾化均匀、雾化效果一致性好
Completely even and very fine spray results provide maximum reproducibility



为雾化解决方案而生

SCHLICK 空心锥喷嘴

- 产品目录 Product Overview
- 两液体喷嘴 Two-Substance Nozzles
- 防滴漏/专业包裹剂技术 ABC/PCA Technique
- 三/四液体喷嘴 Three-/Four-Substance Nozzles
- 多头技术 Multispray
- 喷嘴杆 Insertion Pipes
- 喷嘴头 Nozzle Heads
- 实心锥喷嘴 Full Cone Nozzles
- 空心锥喷嘴 Hollow Cone Nozzles
- 硬质合金喷嘴 Carbide Nozzles
- 扁平喷嘴 Flat Spray Nozzles
- 喷射喷嘴 Smooth-Jet Nozzles
- 混合喷嘴 Mixing Nozzles
- 拉瓦尔喷嘴 Laval Nozzles
- 清洗喷嘴 Cleaning Nozzles
- 喷嘴附件 Accessories
- 测试中心 Test Center

SCHLICK 100-200和 586系列喷嘴

SCHLICK Series 100-200 and 586

Mod. 100-200, 586

压力式喷嘴/空心锥喷嘴

Pressure Nozzles / Hollow-Cone



处理量大、雾化稳定性好

SCHLICK空心锥喷嘴将压力液体雾化成极细的液滴的同时，形成较大的雾化面

一般雾化角度是由喷嘴孔径的大小决定的

- 喷嘴直径0.1至0.5 mm, 雾化角度大致为60°
- 喷嘴直径0.5至1.6 mm, 雾化角度大致为70°
- 喷嘴直径1.6至2.0 mm, 雾化角度大致为78°
- 喷嘴直径2.1 mm以上, 雾化角度大致为80°-85°

对于表中比正常雾化角度大或小的情况, 说明喷嘴配备了比表中所示更大或更小的直径的喷嘴。

表中的流量数据对应于标称孔径, 另外, 喷嘴的长度有可能随孔径的变化而变化, 通常我们会以压力差 Δp 为3 bar时的数据来说明或定义喷嘴

For demanding applications: High capacity and constant spray pattern

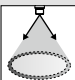



SCHLICK hollow cones-nozzles atomise pressurised liquids into very fine droplets and thereby provide a large specific surface.

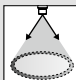
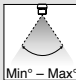
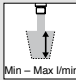

The **normal spray angle** is achieved by bore holes of

- 0.1 to 0.5 mm diameter approx. 60°
- 0.5 to 1.6 mm diameter approx. 70°
- 1.6 to 20 mm diameter approx. 78°
- from 21 mm approx. 80° to 85°

For spray angles smaller or larger than the normal spray angle the nozzle is fitted with a smaller or larger exit hole than that shown in the table.

Each air flow rate corresponds to the nominal bore hole. In the same way, the total height of the nozzle can change. $\Delta p = 3 \text{ bar}$ is chosen for testing and nominal pressure.

	雾化形状: 空心圆锥体
	雾化角度: 15°, 30°, 45°, 60°, 70°, 78°, 90°, 120° 如果喷嘴直径为0.1-0.2mm 无法定制雾化角度, 只有标准雾化角度喷嘴
	处理量: 0.03 - 1400升/分钟(3 bar时)
	常用喷嘴大小: 0.3 mm - 60 mm 如果喷嘴直径为0.1-0.5mm, 可增加防堵过滤

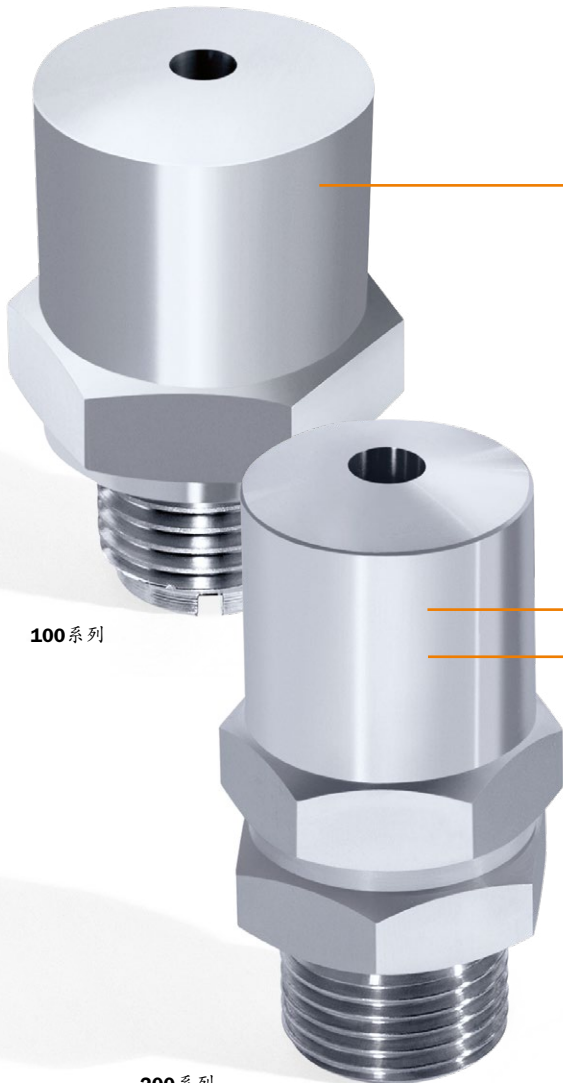
	Spray pattern: circular hollow-cone
	Spray angle: 15°, 30°, 45°, 60°, 70°, 78°, 90°, 120° With bore holes of 0.1-0.2 mm \varnothing : Available only with the normal scatter cone
	Capacity: 0.03 - 1400 l/min at 3 bar
	Standard orifices: 0.3 mm - 60 mm With bore holes of 0.1-0.5 mm: Optional fitting including a filter to prevent blockages

创新性设计

- 安装拆卸非常简单
- 专为精细雾化的应用场合设计
- 应用范围非常广泛
- 终身售后服务保障
- 免费产品设计和技术支持

Innovative product design for perfect spraying:

- Extremely easy installation/de-installation
- Designed for very fine atomisation
- Very wide range of applications
- Long-term after-sales warranty
- Engineering free of charge



100系列

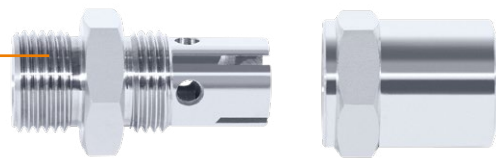
200系列

液体切向流入涡流室, 从而开始旋转。
液体压力转化为旋转能或动能。
旋转的液体形成液膜, 以空心锥体的形状喷出。

在喷嘴出口处, 旋转的液膜与周围的空气发生碰撞, 分解成细小液滴, 这些液滴沿轴向和径向远离喷嘴, 形成空心锥体。

The liquid flows tangentially into a swirl chamber and thereby starts to rotate. The energy in the pressurised liquid is converted into rotational energy or kinetic energy. A rotating film of liquid forms around an air core and emerges through the hole as a hollow cone.

At the exit of the nozzle the liquid film encounters the surrounding air in a reciprocal reaction and breaks-up into fine droplets. These move away from the nozzle in an axial and radial direction and form a hollow cone.



200系列喷嘴与100系列喷嘴性能参数完全相同, 只是200系列喷嘴增加了一个六角螺栓, 以便于拆卸和清洁。

The SCHLICK model 200 has the same characteristics as model 100. The model 200 is fitted with a hexagon bolt on the screw fitting in order to facilitate removal and allow it to be cleaned more easily.

SCHLICK 100-200和 586系列

SCHLICK Series 100-200 and 586



即使在液体压力波动的情况下，也能实现空心锥雾化

处理量大小和雾化液滴大小由喷嘴孔径、雾化角度、液体压力、密度、粘度和表面张力所决定。

最小雾化压力

孔径0.1 - 0.5 mm：压力差至少 $\Delta p = 3 - 6$ bar

孔径0.5 - 1.6 mm：压力差至少 $\Delta p = 0.5$ bar

孔径1.6 mm 以上：压力差至少 $\Delta p = 0.1 - 0.5$ bar

相同孔径下的液滴大小：

压力大=液滴小

压力小=液滴大

相同压力下的液滴大小：

孔径大=液滴大

孔径小=液滴小

$$d_r \sim \varnothing$$

相同孔径和相同压力下的液滴大小

雾化角度大=液滴小

雾化角度小=液滴大

$$d_r \sim \frac{1}{\text{雾化角度}}$$

高粘度和表面张力大的液体不一定能实现空心锥雾化，需用喷嘴进行实测试验，即使可以，雾化液滴一般比较大。



Even hollow cone even with fluctuating liquid pressure

The quality of the atomised spray and the droplet spectrum are related to the diameter of the hole, the pressure, the scatter cone, the density, the viscosity, and the surface tension.

Minimum atomising pressure

0.1 - 0.5 mm \varnothing : $\Delta p = 3 - 6$ bar

0.5 - 1.6 mm \varnothing : $\Delta p = 0.5$ bar

ab 1.6 mm \varnothing : $\Delta p = 0.1 - 0.5$ bar

Droplet size with the same bore hole size:

higher pressure = smaller droplets

lower pressure = larger droplets

Droplet size with the same pressure:

larger bore hole = larger droplets

smaller bore hole = smaller droplets

$$d_r \sim \varnothing$$

Droplet size with the same bore hole size and the same pressure:

larger spray angle = smaller droplets

smaller spray angle = larger droplets

$$d_r \sim \frac{1}{\text{spray angle}}$$

Liquids with higher viscosities and surface areas must be tested for their atomisation with hollow cone nozzles. Compared to water, the fineness of the atomisation is generally coarser.

586系列喷嘴用于超高温蒸汽冷却

可加装活动涡流体(无回流阀功能)、连接螺纹G 1/4、G 3/8、G 1/2或G 3/4。

SCHLICK model 586 for superheated steam cooling

Available with a movable swirl body (non-return valve function), attachment screw G 1/4, G 3/8, G 1/2 or G 3/4. Dimensions and air flow data available on request.

给客户 提供喷嘴和雾化解决方案的同时,我们还确保为客户 提供良好的售后服务,喷嘴维修和更新服务,所有喷嘴和备件 设计图纸都会长期保存,紧急情况下,能快速为客户提供可靠 的配件。

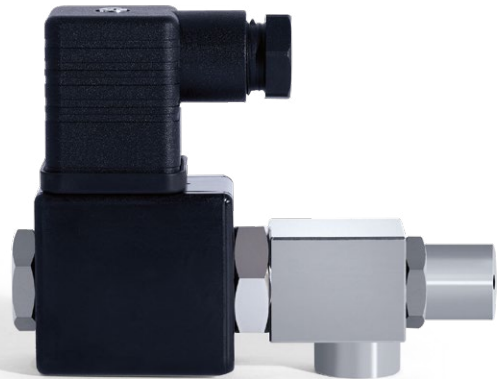
As well as competent advice and its inception, you can profit from an efficient after-sales service that guarantees long-term supply of all products. We carry out both repair and conversion of SCHLICK spray nozzles, and in emergency, we can supply spare parts quickly and reliably.

100% 无滴漏
drip-free



SCHLICK 100系列喷嘴 (Form 7-1), 通过单独的控制阀, 可以在雾化气体突然关闭的情况下, 气动通针顶出, 封闭喷芯 (停止喷液), 尤其适用于蚀刻、标记、循环喷涂等需要避免滴液的应用场合。

SCHLICK Model 100 (Form 7-1) with pneumatic open/close control using control air. The nozzle needle closes the outlet abruptly when the control air is shut off. Especially suitable for etching, marking, cyclic spraying and above all for liquids under pressure where drips are to be avoided.



SCHLICK 100系列 (Form 8)
电磁阀控制
标准设计: 230 V, 50 Hz, 100 % ED
环境温度: 最高55 °C
外壳防护等级IP 65。
循环频率: 仅受转换时间限制。

SCHLICK Model 100 (Form 8)
With solenoid valve
Standard design: 230 V, 50 Hz, 100 % ED.
Ambient temperature: max. 55 °C
Enclosure protection IP 65.
Cycling frequency: limited only by the changeover time.



缩短版的**103**系列

SCHLICK model 103
short form



直角安装的**104**系列

SCHLICK model 104
for right-angled installation

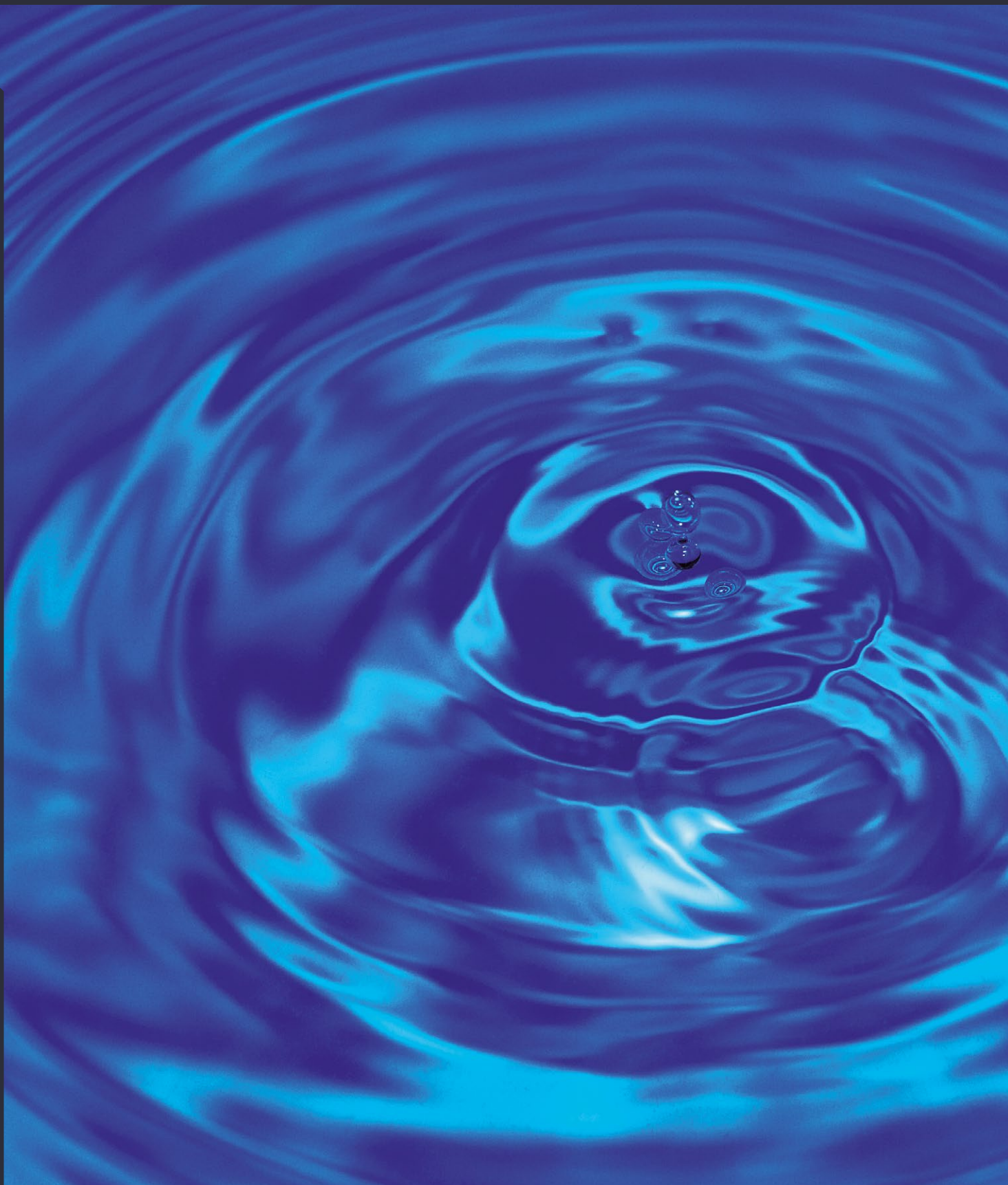
SCHLICK 100-200和586系列
SCHLICK Series 100-200 and 586

Mod. 100-200, 586

压力式喷嘴/空心锥喷嘴

Pressure Nozzles / Hollow-Cone

如有技术变更,恕不另行通知。



应用

- 空气调节
- 燃烧
- 除冰
- 直接润滑
- 织物保湿
- 气体温度调节
- 气体冷却
- 制粒设备
- 油脂雾化
- 加湿
- 混合
- 工艺工程
- 果肉保湿
- 喷雾干燥
- 蒸汽冷凝
- 超高温蒸汽冷却
- 烟草保湿
- 水二次冷却
- 水处理

Applications

- Air conditioning
- Combustion
- De-icing
- Direct lubrication
- Fabric moisturising
- Gas conditioning
- Gas cooling
- Granulating equipment
- Grease atomising
- Humidifying
- Mixing
- Process engineering
- Pulp moisturising
- Spray drying
- Steam condensation
- Superheated steam cooling
- Tobacco moisturising
- Water recooling
- Water treatment

产品目录
Product Overview

两液体喷嘴
Two-Substance
Nozzles

防滴漏/专业包浆技术
ABC/PCA Technique

三/四液体喷嘴
Three-/Four-
Substance Nozzles

多喷头技术
Multispray

喷射杆
Insertion Pipes

喷嘴头
Nozzle Heads

实心锥喷嘴
Full Cone Nozzles

空心锥喷嘴
Hollow Cone Nozzles

硬质合金喷嘴
Carbide Nozzles

扁平喷嘴
Flat Spray Nozzles

喷射喷嘴
Smooth-Jet Nozzles

混合喷嘴
Mixing Nozzles

拉瓦尔喷嘴
Laval Nozzles

清洗喷嘴
Cleaning Nozzles

喷嘴附件
Accessories

测试中心
Test Center

具体技术参数100-200和 586系列喷嘴

Technical Details SCHLICK Series 100-200 and 586

Mod. 100-200, 586



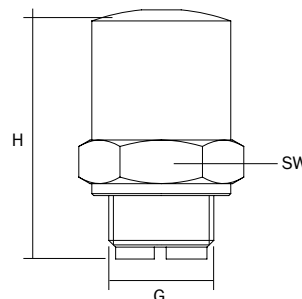
标准型100系列喷嘴尺寸

Dimensions of model 100 standard design

Size Size	1	2	3	4	5	6	7	8	9	10
螺纹规格 Connector ISO 228 G	1/8	1/4	3/8	1/2	3/4	1	1 1/4	1 1/2	2	3
总长H(mm) Total height H in mm	26	32	40	50	63	80	90	100	110	160
扳手开口尺寸(mm) Spanner size SW in mm	17	20	24	27	36	46	55	65	80	120
喷嘴(黄铜材质)重量约为kg Weight of brass approx. in kg	0.03	0.05	0.08	0.12	0.28	0.70	0.88	1.40	2.40	6.00

(如雾化角度<60°时, 喷嘴总长会长一些)

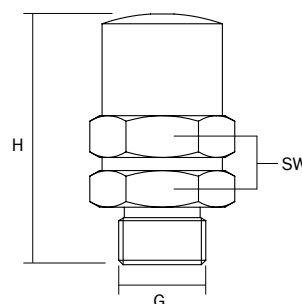
(length is longer for spray angles < 60°)



多一个六角螺栓的200系列喷嘴尺寸

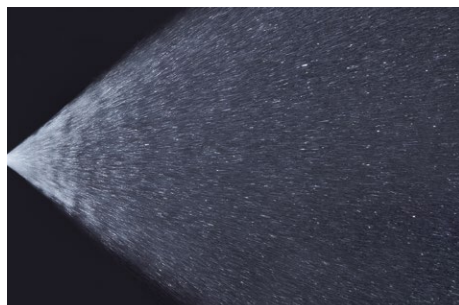
Dimensions of model 200 with hexagonal fitting

Size Size	1	2	3	4	5	6
螺纹规格 Connector ISO 228 G	1/8	1/4	3/8	1/2	3/4	1
总长H (mm) Total height H in mm	31	38	47	58	70	95
扳手开口尺寸SW (mm) Spanner size SW in mm	17	20	24	27	36	46
喷嘴(黄铜材质)重量约为kg Weight of brass approx. in kg	0.04	0.08	0.12	0.22	0.31	0.90



100 系列喷嘴雾化图

Spray model 100



如有技术变更, 恕不另行通知。

压力式喷嘴/空心锥喷嘴
Pressure Nozzles / Hollow-Cone

SCHLICK – 为雾化解决方案而生

神奇的SCHLICK雾化技术
Clever SCHLICK technology

从设备设计规划到实际批量生产,
Schlick都能提供完美解决方案。

SCHLICK know-how – from planning
to installation. We would be delighted
to assist in the optimisation of your
technical and operational results.

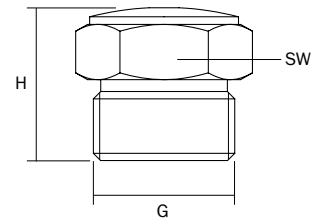
缩短版的103系列喷嘴尺寸

Dimensions of model 103 short design

Size Size	1	2	3	4	5	6	7
螺纹规格 Connector ISO 228 G	$\frac{3}{8}$	$\frac{1}{2}$	$\frac{3}{4}$	1	$1\frac{1}{4}$	$1\frac{1}{2}$	2
总长H (mm) Total height H in mm	18	21	28	36	46	60	68
扳手开口尺寸SW (mm) Spanner size SW in mm	20	24	32	36	46	55	65

孔径和流量是按照型号Size大小排列的

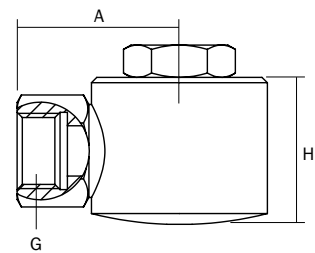
Orifices and flow rates are table sorted to size and not to connection thread



直角安装的104系列喷嘴尺寸

Dimensions of model 104 with right-angled connection

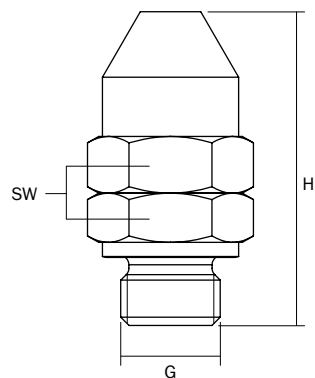
Size Size	1	2	3	4	5	6	7
螺纹规格 Connector ISO 228 G	$\frac{1}{8}$	$\frac{1}{4}$	$\frac{3}{8}$	$\frac{1}{2}$	$\frac{3}{4}$	1	$1\frac{1}{4}$
总长H (mm) Total height H in mm	30	30	40	50	60	75	85
尺寸A Length A	30	30	40	50	60	70	80



586系列喷嘴尺寸

Dimensions of model 586

Size Size	1	2	3	4
螺纹规格 Connector ISO 228 G	$\frac{1}{4}$	$\frac{3}{8}$	$\frac{1}{2}$	$\frac{3}{4}$
总长H (mm) Total height H in mm	41	52	60	75
扳手开口尺寸 (mm) Spanner size SW in mm	19	24	27	36



具体技术参数100-200和 586系列喷嘴

Technical Details SCHLICK Series 100-200 and 586



100系列和200系列喷嘴的性能数据

Performance data of model 100 and 200

Size	孔径	流量 (l/min)									雾化角度
Size	Borehole in mm	Flow rate in l/min at									Spray angle in °
		0.25 bar	0.5 bar	1 bar	2 bar	3 bar	4 bar	6 bar	8 bar	10 bar	
1	0.3					0.035	0.040	0.050	0.057	0.064	60
	0.4					0.062	0.072	0.088	0.100	0.113	60
	0.5				0.080	0.097	0.111	0.138	0.159	0.178	63
	0.8				0.204	0.250	0.288	0.354	0.408	0.457	68
	1.1			0.270	0.380	0.470	0.540	0.660	0.770	0.860	70
	1.6		0.41	0.58	0.81	1.00	1.16	1.43	1.64	1.83	72
	2.3	0.60	0.84	1.19	1.68	2.06	2.38	2.92	3.37	3.76	75
	2.8	0.88	1.24	1.76	2.48	3.05	3.52	4.32	4.98	5.57	78
2	3.2	1.15	1.63	2.30	3.26	4.00	4.62	5.65	6.52	7.30	78
	3.6	1.45	2.06	2.92	4.12	5.05	5.83	7.15	8.25	9.20	78
	3.9	1.70	2.41	3.40	4.80	5.90	6.82	8.35	9.63	10.75	78
	4.2	1.98	2.82	3.98	5.63	6.90	7.95	9.75	11.30	12.60	78
	4.5	2.28	3.23	4.55	6.45	7.90	9.10	11.20	12.90	14.40	78
	4.8	2.60	3.68	5.20	7.35	9.00	10.40	12.75	14.70	16.50	78
3	5.0	2.80	4.00	5.60	7.95	9.75	11.13	13.80	15.90	17.80	78
	5.5	3.40	4.82	6.80	9.65	11.80	13.60	16.70	19.25	21.50	78
	6.0	4.05	5.70	8.10	11.40	14.00	16.20	19.80	22.80	25.60	78
4	7.0	5.50	7.80	11.00	15.60	19.10	22.00	27.00	31.20	34.80	78
	8.0	7.20	10.20	14.40	20.40	25.00	28.80	35.40	40.80	45.70	78
5	10.0	11.30	15.90	22.50	31.80	39.00	45.00	55.20	63.70	71.20	78
	11.0	13.60	19.20	27.20	38.40	47.00	54.50	66.50	77.00	86.00	78
6	13.0	19.00	27.00	38.00	54.00	66.00	76.00	93.00	108.00	120.00	78
	15.0	25.00	36.00	51.00	72.00	88.00	102.00	124.00	144.00	161.00	78
7	18.0	36.00	51.00	73.00	103.00	126.00	145.00	178.00	206.00	230.00	79
	21.0	50.00	70.00	99.00	140.00	172.00	197.00	244.00	281.00	314.00	80
8	23.0	60.00	84.00	119.00	168.00	206.00	238.00	292.00	337.00	376.00	81
	25.0	70.00	100.00	140.00	198.00	243.00	280.00	344.00	397.00	445.00	82
9	30.0	102.00	143.00	203.00	287.00	352.00	406.00	497.00	575.00	642.00	83
	36.0	145.00	206.00	292.00	412.00	505.00	583.00	650.00	715.00	825.00	84
10	50.0	280.00	400.00	560.00	795.00	975.00	1113.00	1380.00	1590.00	1780.00	85
	60.0	405.00	570.00	810.00	1140.00	1400.00	1620.00	1980.00	2280.00	2560.00	85

如有技术变更,恕不另行通知。

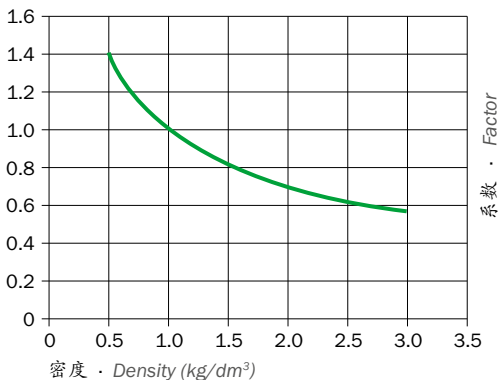
信任和质量是合作成功的基础,这不仅仅指我们的产品,也适用于我们的服务。如有需要,我们可向您提供喷嘴相关文件,如技术手册(包括图纸、流量图、安装和操作说明)、SCHLICK公司的相关证书以及喷嘴的材质说明。

Reliability and quality are the basis for successful cooperation with our international customers. This applies both to our products and to our service. If you wish, we will supply you with all necessary documentation such as technical handbooks for the nozzles (drawings, flow diagrams, installation and operating instructions) together with factory and material specifications.

586系列喷嘴的性能数据
Performance data of model 586

Size	孔径 Borehole in mm	流量 (l/min) Flow rate in l/min at									雾化角度 Spray angle in °
		1 bar	2 bar	3 bar	4 bar	6 bar	8 bar	10 bar	20 bar	30 bar	
1	1.1	0.27	0.38	0.47	0.54	0.66	0.77	0.86	1.22	1.50	
	1.6	0.58	0.81	1.00	1.16	1.43	1.64	1.83	2.57	3.15	
	2.3	1.19	1.68	2.06	2.38	2.92	3.37	3.76	5.33	6.53	
	2.8	1.76	2.48	3.05	3.52	4.32	4.98	5.57	7.87	9.65	
	3.2	2.30	3.26	4.00	4.62	5.65	6.52	7.30	10.32	12.65	
	3.6	2.92	4.12	5.05	5.83	7.20	8.30	9.25	13.10	16.05	
	3.9	3.40	4.80	5.90	6.82	8.35	9.63	10.75	15.35	18.80	
	4.2	3.98	5.63	6.90	7.95	9.75	11.30	12.60	17.80	21.80	
	4.5	4.55	6.45	7.90	9.10	11.20	12.90	14.40	20.50	25.20	
	4.8	5.20	7.35	9.00	10.40	12.75	14.70	16.50	23.25	28.45	
2	5.0	5.60	7.95	9.75	11.13	13.80	15.90	17.80	25.20	30.80	
	5.5	6.80	9.65	11.80	13.60	16.70	19.25	21.50	30.60	37.50	
	6.0	8.10	11.40	14.00	16.20	19.80	22.80	25.80	36.40	44.65	
3	7.0	11.00	15.60	19.10	22.00	27.00	31.20	34.80	49.60	60.80	
	8.0	14.40	20.40	25.00	28.80	35.40	40.80	45.70	64.50	79.20	
4	10.0	22.50	31.80	39.00	45.00	55.20	63.70	71.50	101.00	124.00	
	11.0	27.20	38.40	47.00	54.50	66.50	77.00	86.00	122.00	150.00	

密度系数换算表
Conversion factor for density



流量数据是以16°C的水测得的,不同密度的流体流量系数参照左侧图表,喷嘴的孔径是以0.1递增,上表的数据都是标称孔径下的数据。如果要求的雾化角度是非标的,要满足上图的流量,喷嘴孔径可能要变大或者变小。

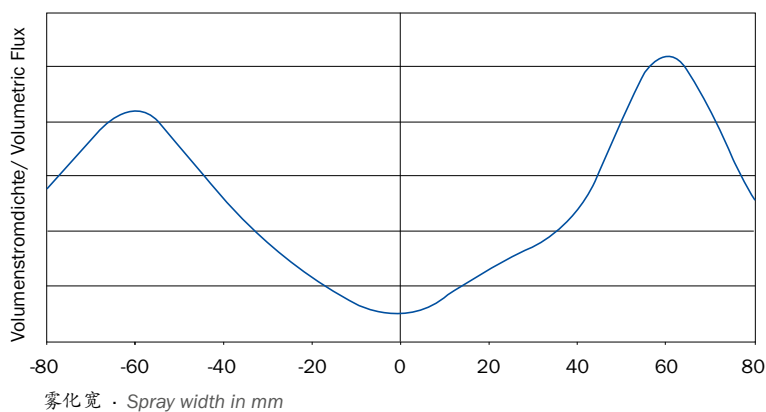
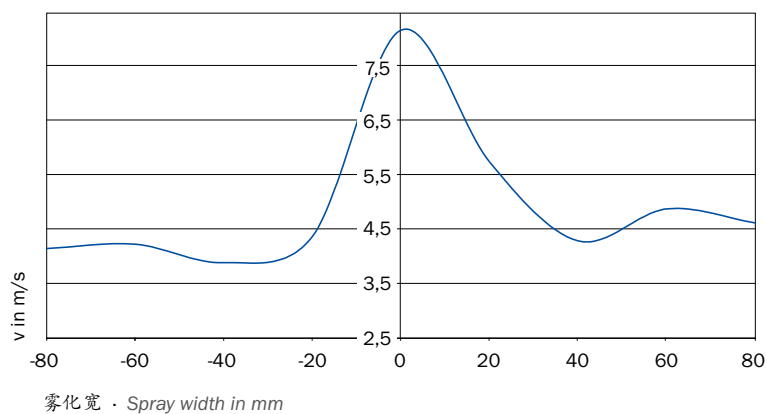
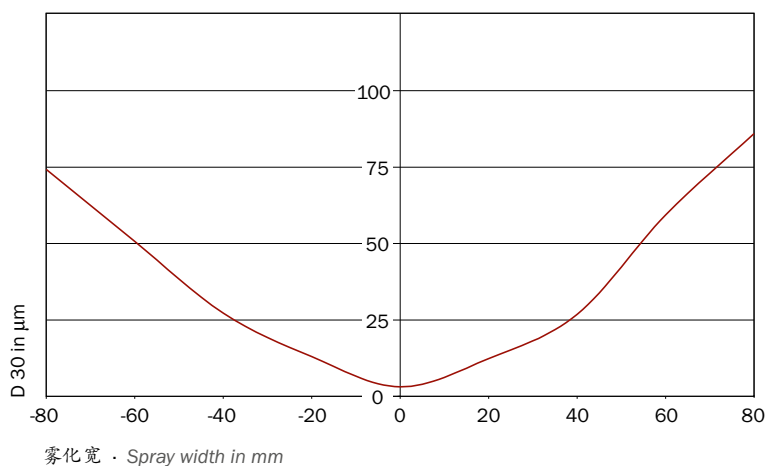
The air flow performance is based on water at 16°C - liquids of different thickness can be calculated using the conversion table on the left. The bore hole diameter is marked on the nozzle in 1/10 mm. For technical reasons, nozzles, which produce a spray cone differing from the normal spray cone, must be fitted with smaller or larger bore holes. Each air flow rate corresponds to the nominal bore hole.

产品目录
Product Overview
两液体喷嘴
Two-Substance Nozzles
防滴漏/专业包装技术
ABC/PCA Technique
三/四液体喷嘴
Three-/Four-Substance Nozzles
多喷头技术
Multispray
喷嘴杆
Insertion Pipes
喷嘴头
Nozzle Heads
空心锥喷嘴
Full-Cone Nozzles
空心锥喷嘴
Hollow-Cone Nozzles
硬质合金喷嘴
Carbide Nozzles
扁平喷嘴
Flat Spray Nozzles
喷射喷嘴
Smooth-Jet Nozzles
混合喷嘴
Mixing Nozzles
拉瓦尔喷嘴
Laval Nozzles
清洗喷嘴
Cleaning Nozzles
喷嘴附件
Accessories
测试中心
Test Center

具体技术参数100-200和 586系列喷嘴 Technical Details SCHLICK Series 100-200 and 586



Mod. 100-200, 586



如有技术变更, 恕不另行通知。

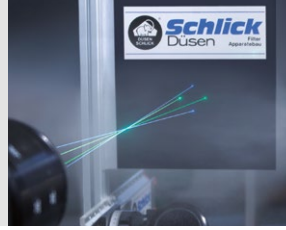
压力式喷嘴/空心锥喷嘴

Pressure Nozzles / Hollow-Cone

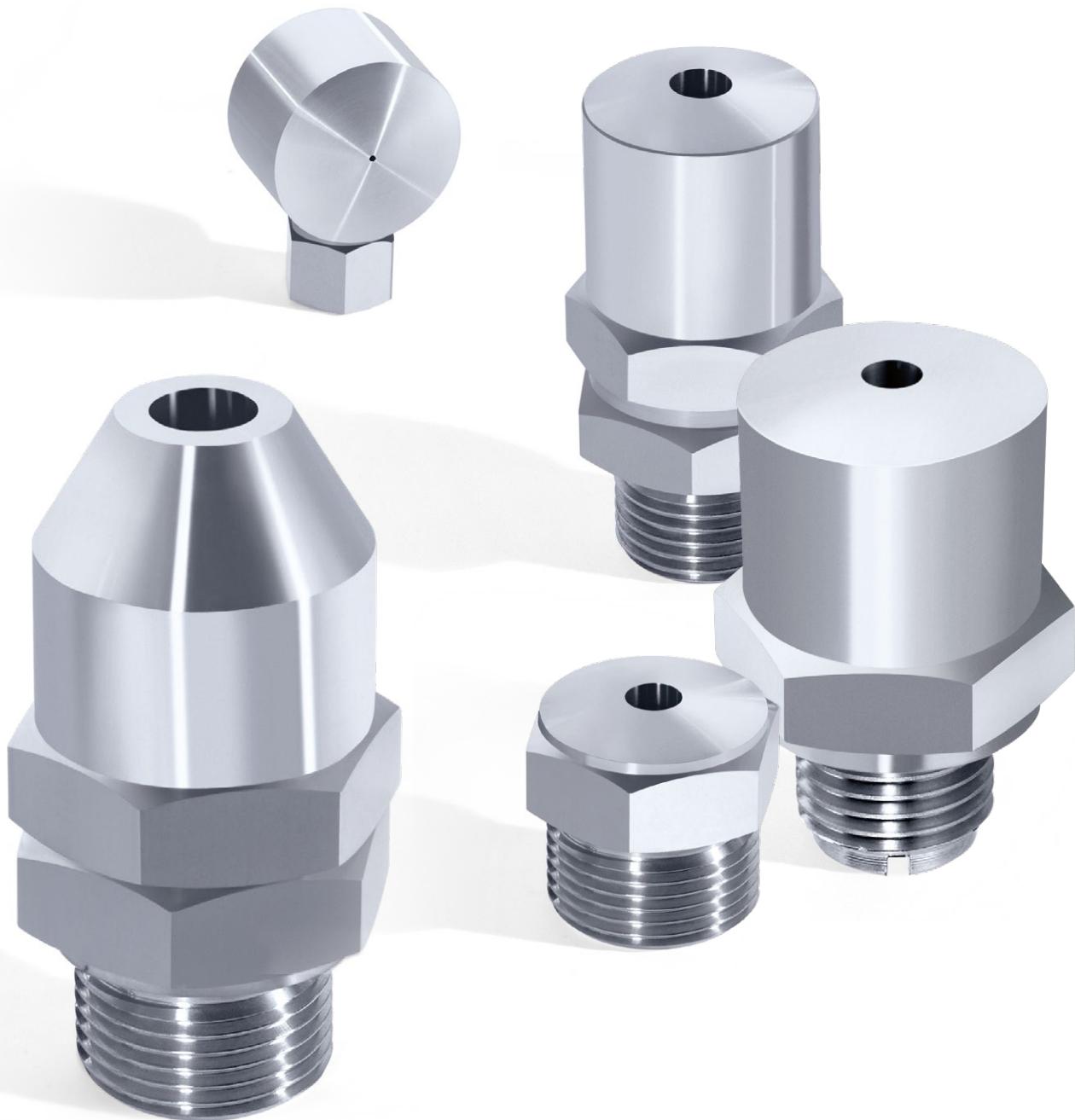
相位多普勒测量
技术

**PDA measurement
technology**

SCHLICK测量系统采用双相位激光多普勒测试原理(5瓦氩离子激光器),能精准测量雾化液滴参数和其流体特性



The SCHLICK measurement system, a drop measurement device designed according to the dual PDA principle (PDA = Phase-Doppler Anemometry), uses a 5-watt (argon-ionic) continuous wave laser.



产品目录
Product Overview

两液体喷嘴
Two-Substance
Nozzles

防飞溅/专业包壳技术
ABC/PCA Technique

三/四液体喷嘴
Three-/Four-
Substance Nozzles

多喷头技术
Multispray

喷嘴杆
Insertion Pipes

喷嘴头
Nozzle Heads

实心锥喷嘴
Full-Cone Nozzles

空心锥喷嘴
Hollow-Cone Nozzles

硬质合金喷嘴
Carbide Nozzles

扁平喷嘴
Flat-Spray Nozzles

喷射喷嘴
Smooth-Jet Nozzles

混合喷嘴
Mixing Nozzles

拉瓦尔喷嘴
Laval Nozzles

清洗喷嘴
Cleaning Nozzles

喷嘴附件
Accessories

测试中心
Test Center