

938系列模块化喷嘴及848, 0/28, 0/48系列 Module System Range 938 and Series 848, 0/28, 0/48

Mod. 938, 848, 0/28, 0/48



常规系列也可选择二次雾化或者喷杆加长

The convertible basic system is also optionally available with double air atomisation or with extended shaft version

伞状喷头使得雾化更精细

Very fine atomisation with the SCHLICK mushroom head technology

关键部件的表面粗糙度小于0.8
(且设计符合FDA认证)

Functional components with a surface quality of Ra < 0.8 (available as FDA compliant designs)

模块化设计,
适用多种雾化场合

Modular system provides diverse application options

SCHLICK经典喷嘴系列

百分百德国制造



可选材质

- 耐酸不锈钢
- 耐高温不锈钢
- 黄铜
- 钽金属
- 哈氏合金
- 客户指定材质

Materials

- Acid resistant stainless steel
- Heat resistant stainless steel
- Brass
- Titanium
- Hastelloy
- Custom materials available on request

产品目录
Product Overview

两液体喷嘴
Two-Substance
Nozzles

防滴漏/专业包壳材料技术
ABC/PCA Technique

三/四液体喷嘴
Three-/Four-
Substance Nozzles

多喷头技术
Multispray

喷嘴杆
Insertion Pipes

喷嘴头
Nozzle Heads

实心锥喷嘴
Full Cone Nozzles

空心锥喷嘴
Hollow Cone Nozzles

硬质合金喷嘴
Carbide Nozzles

扁平喷嘴
Flat Spray Nozzles

喷射喷嘴
Smooth-Jet Nozzles

混合喷嘴
Mixing Nozzles

拉瓦尔喷嘴
Laval Nozzles

清洗喷嘴
Cleaning Nozzles

喷嘴附件
Accessories

测试中心
Test Center

938系列模块化喷嘴及848, 0/28, 0/48系列 Module System Range 938 and Series 848, 0/28, 0/48



最精细的雾化喷嘴

伞状喷嘴头的双流体喷嘴, 因为液体和气体在喷嘴出口处充分混合、撞击, 从而能获得比其它二流体喷嘴更细小的雾化液滴。

使用938, 848, 0/28 及0/48系列喷嘴用于大面积雾化时, 雾化介质采用压缩空气、煤气或蒸汽(0.7bar以上)

此系列喷嘴, 流量大小基本都是通过压力差控制的。在带有针阀的喷嘴型号中, 流量也可以通过针阀的调节来调节

此系列喷嘴全部采用模块化设计制造, 有多种设计可供选择, 而且每个零件都可单独更换, 不影响雾化效果。

THE specialist for the finest atomisation

Two-substance nozzles with mushroom heads can atomise liquids more finely than other two-substance nozzles through the mixing of liquid and atomising air at the nozzle exit.

With the SCHLICK two-substance nozzles 938, 848, 0/28 and 0/48 the fluid is applied to a large specific surface through atomisation using compressed air, gas or steam – from 0.7 bar (g).

The flow rate for all models is controlled through the current liquid pressure difference. In the model with a regulating needle, the flow rate can also be regulated by the needle setting.

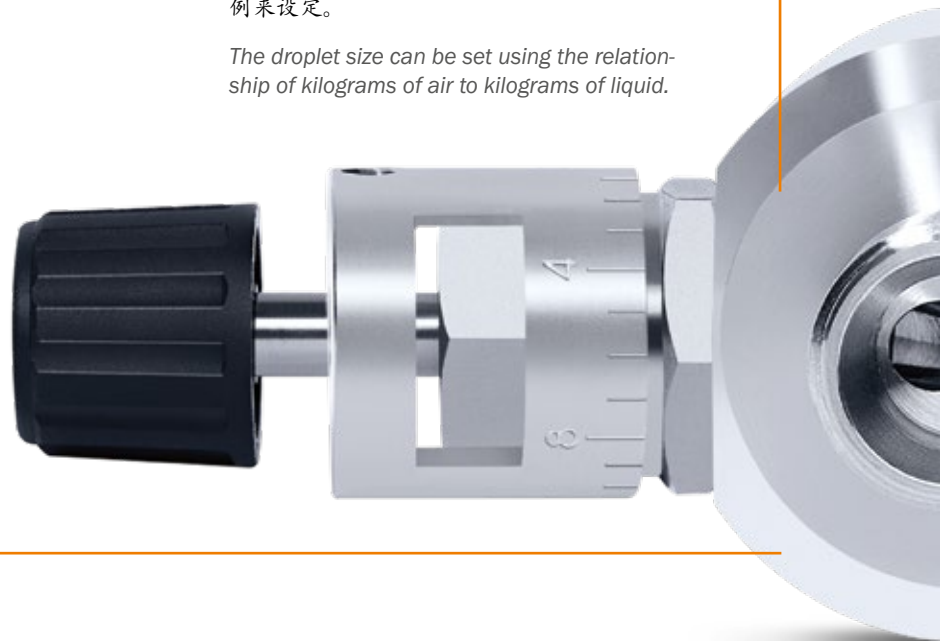
The nozzles are manufactured to a modular design and are available in various designs. Replacement parts are available for all individual parts and reproducible results are ensured.

● 液体中不能含有固体颗粒, 由于喷嘴的几何形状, 只能雾化粘稠度较低的液体 (取决于液体表面张力, 一般不能超过30-100Pas)

The liquid should be free of solid particles. Due to the geometry of the nozzles only liquids with a low viscosity can be sprayed (depending on surface tension – max. 30 to 100 mPas).

● 液滴的大小可根据空气与液滴公斤数的比例来设定。

The droplet size can be set using the relationship of kilograms of air to kilograms of liquid.



创新性产品设计

- 拆装卸非常简单
- 显著减少维修时间
- 多种安装方式可选
- 终身售后服务保障
- 免费产品设计和技术支持

Innovative product design

- Extremely easy to adjust for maximum flexibility
- Significant reduction in maintenance downtimes thanks to easy access to all components
- Wide range of installation options thanks to modular construction
- Long-term after-sales warranty
- Engineering free of charge



雾化形状

大角度的圆锥形



雾化角度

大约140°



液滴大小

10-80微米



处理量

0.4-15升/分钟

所需最小液压差
 938及0/28型: 0.050 bar
 0/48型: 0.035 bar
 848型: 0.027 bar



Spray pattern:

circular full-cone with wide spray angle



Spray angle:

approx. 140°



Droplet size:

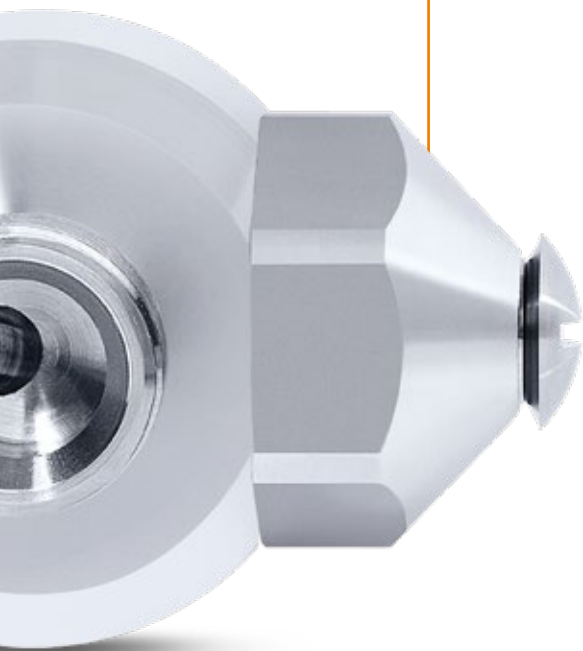
10 - 80 µm



Capacity:

0.4 - 15 l/min

Minimum liquid pressure difference required:
 for Modell 938 and 0/28: 0.050 bar
 for Modell 0/48: 0.035 bar
 for Modell 848: 0.027 bar



两次雾化的0/48及848型喷嘴能耗较高，但是雾化量大且液体极为细小。

Models with double atomisation – e.g. such as models 0/48 and 848 – have a higher energy consumption but provide very fine droplets with a high liquid flow rate.

938系列喷嘴雾化 Spray model 938



938型系列模块化喷嘴 Module System Range 938

Mod. 938, 848, 0/28, 0/48

双流体喷嘴/伞锥形(伞状喷头)/外混型
Two-Substance Nozzles / Full-Cone (Mushroom Head) / External Mixing

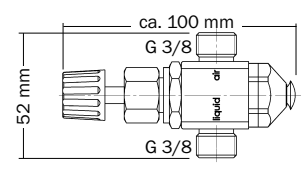


盲堵
Blind plug







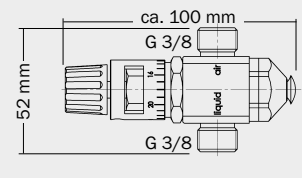
= Form 0





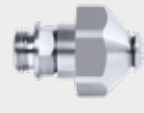
流量调节针阀
Liquid flow control needle

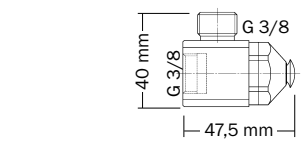
= Form 4





带刻度流量调节针阀
Scale

= Form 5




液体从中心进料
Central liquid feed

= Form 6



气动控制
Pneumatically controlled





= Form 7

100% 无滴漏
drip-free



单独控制气控制
Pneumatically controlled by control air





= Form 7-1

100% 无滴漏
drip-free



电磁阀控制
Solenoid valve





= Form 8

100% 无滴漏
drip-free

如有技术变更, 恕不另行通知。

采用盲堵设计的基本款，
用于吸入或者重力差供液的雾化场合

Basic model with dummy plug. Designed for the atomisation of liquids that are either siphoned or fed by gravity at a slight gradient.

采用流量调节针阀，
用于流量大小需要经常调节的场合

Supplied with a liquid flow control needle for atomising tasks having highly variable flow rates.

和设计4类似，增加了刻度显示，
可精准设置流量，用于测试、
实验室等场合。

As Form 4, but with a scale etched on the liquid control needle for fine setting of the flow rate, designed for experiments, laboratories, etc.

采用液体从中心供料，用于高粘性溶液、
如浆料等的雾化。

With straight (central) liquid feed, for atomisation of highly viscous solutions, pastes, etc.

使用雾化气控制针阀，当雾化气关闭时，
针阀顶出，封闭喷芯，
适用于避免滴液的雾化场合，
比如蚀刻、标记、连续喷涂等。

Pneumatically controlled using the atomising air. The nozzle needle closes the orifice automatically and abruptly when the atomising air is shut off. Especially suitable for etching, marking, cyclic spraying and above all for liquids under pressure where drips are to be avoided.

和设计7类似，增加了单独的控制气控制针阀
(雾化气可不关闭)

As Form 7, but with control by control air, with special connector (atomising air can carry on blowing).

电磁阀控制
标准设计：230V 50Hz;
环境温度(100%使用)：最大55°C; 防水等级：IP65;
循环频率仅受转换时间的限制

*With solenoid valve
Standard design: 230 V, 50 Hz, 100 % ED
Ambient temperature: max. 55 °C, enclosure protection IP 65
Cycling frequency limited only by the changeover time*

myschlick.com

938系列模块化喷嘴及848, 0/28, 0/48系列 Module System Range 938 and Series 848, 0/28, 0/48

Mod. 938, 848, 0/28, 0/48

双流体喷嘴/全锥形(伞状喷头)/外混型
Two-Substance Nozzles / Full-Cone (Mushroom Head) / External Mixing



如有技术变更, 恕不另行通知。

应用

- 空气调节
- 包衣
- 燃烧
- 消毒
- 精整
- 流化床技术
- 制粒
- 混合
- 工艺工程
- 修复
- 喷雾干燥
- 烟草工业

Applications

- Air conditioning
- Coating
- Combustion
- Disinfecting
- Finishing
- Fluid bed technology
- Granulating
- Mixing
- Process engineering
- Recovery
- Spray drying
- Tobacco industry (casing, flavouring)



产品目录
Product Overview

两液体喷嘴
Two-Substance
Nozzles

防滴漏/专业包衣技术
ABC/PCA Technique

三/四液体喷嘴
Three-/Four-
Substance Nozzles

多喷头技术
Multispray

喷嘴杆
Insertion Pipes

喷嘴头
Nozzle Heads

空心锥喷嘴
Full-Cone Nozzles

空心锥喷嘴
Hollow-Cone Nozzles

硬质合金喷嘴
Carbide Nozzles

扁平喷嘴
Flat-Spray Nozzles

喷射喷嘴
Smooth-Jet Nozzles

混合喷嘴
Mixing Nozzles

拉瓦尔喷嘴
Laval Nozzles

清洗喷嘴
Cleaning Nozzles

喷嘴附件
Accessories

测试中心
Test Center

具体技术参数 Technical Details



938和0/28系列喷嘴采用中心供液 Models 938 and 0/28 with straight air feed

雾化气压力 (bar)	雾化气的消耗量 (立方/小时)	液体压力 (bar)	处理量 (水, 升/分钟)
Atomising air pressure in bar	Air consumption in Normal m ³ /h	Liquid pressure in bar	Water flow rate in l/min
0.7	4.7	0.05	0.4
1.0	5.3	0.08	0.5
1.5	7.0	0.13	0.6
2.0	8.2	0.19	0.7
2.5	9.5	0.27	0.8
3.0	11.0	0.34	0.9
3.5	12.5	0.44	1.0
4.0	14.0	0.55	1.1
4.5	15.0	0.65	1.2
5.0	16.5	0.74	1.3
5.5	17.5	0.85	1.4
6.0	19.0	0.98	1.5



0/28系列喷嘴和938系列性能基本相同。这两种型号的唯一区别就是安装方式，0/28喷杆长度可以根据实际需要定制。

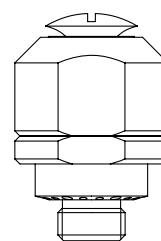
The performance data of the SCHLICK model 0/28 is identical to the basic model 938. The only difference between the two models is their design. Model 0/28 is - depending on installation - fitted with individual shaft lengths.

0/48系列喷嘴两路进气 Model 0/48 with double air feed

雾化气压力 (bar)	雾化气的消耗量 (立方/小时)	液体压力 (bar)	处理量 (水, 升/分钟)
Atomising air pressure in bar	Air consumption in Normal m ³ /h	Liquid pressure in bar	Water flow rate in l/min
1.0	28	0.13	0.7
2.0	43	0.50	1.4
3.0	58	1.00	2.0
4.0	74	1.60	2.5
5.0	84	2.40	3.2
6.0	88	4.00	4.0

0/48采用两次雾化，压缩空气消耗量大，但雾化量大且雾化液滴极为细小。

The SCHLICK model 0/48 works with **double air atomisation**. The result justifies the high energy consumption: **Very fine droplets at a high liquid flow rate.**

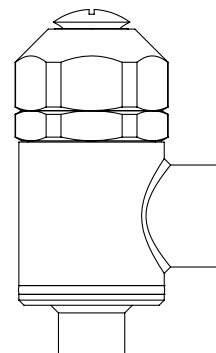


848系列喷嘴采用两次雾化 Model 848 with double air feed

雾化气压力 (bar)	雾化气的消耗量 (立方/小时)	液体压力 (bar)	处理量 (水, 升/分钟)
Atomising air pressure in bar	Air consumption in Normal m ³ /h	Liquid pressure in bar	Water flow rate in l/min
1.0	80	0.027	1.8
2.0	120	0.130	4.0
3.0	160	0.400	7.0
4.0	205	0.840	9.5
5.0	240	1.200	12.5
6.0	285	1.900	15.0

828系列喷嘴特别为大流量应用场合而设计的，也是两次雾化，雾化量大，雾化液体极为细小。

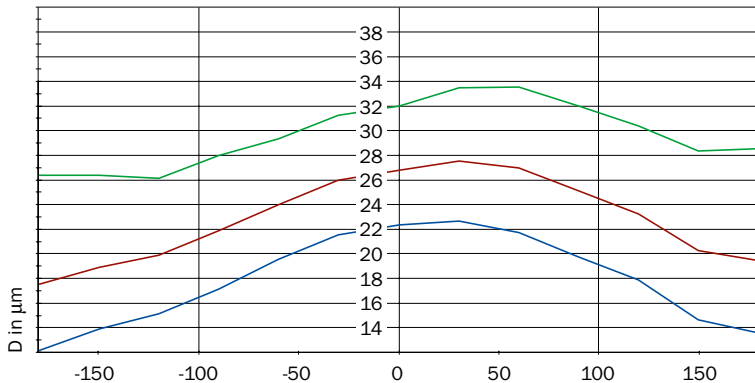
Developed for maximum air flow rate: The SCHLICK model 848 is also equipped with **double air atomisation** and provides **very fine droplets with a very high liquid flow rate.**



神奇的SCHLICK雾化技术
 - 专为雾化解决方案而存在
 从设计到安装, SCHLICK都能提供专
 业的技术支持和解决方案

Perfection to the last detail –
 Living for Solutions

SCHLICK know-how: from planning to installation. We
 would be delighted to assist in the optimisation of your
 technical and operational results.



雾化宽度: 毫米 · Spray width in mm

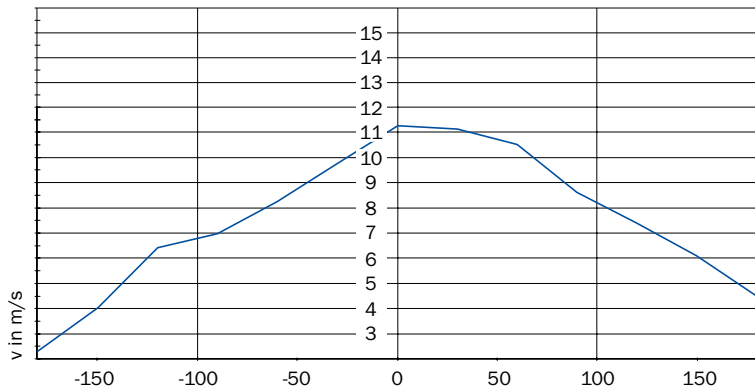
■ D10 ■ D30 ■ D32

0/48型喷嘴雾化液滴大小

雾化宽度: 360毫米, 距离: 600毫米
 液体流量: 80升/小时, 液体压力: 0.6 Bar
 雾化空气消耗: 108立方/小时
 雾化空气压力: 5.5 Bar

Droplet size of Mod. 0/48

Spray width: 360 mm, distance: 600 mm,
 liquid throughput: 80 l/h, liquid pressure: 0.6 bar (Δp),
 atomization air consumption: 108 Nm³/h,
 atomization air pressure: 5.5 bar (g)



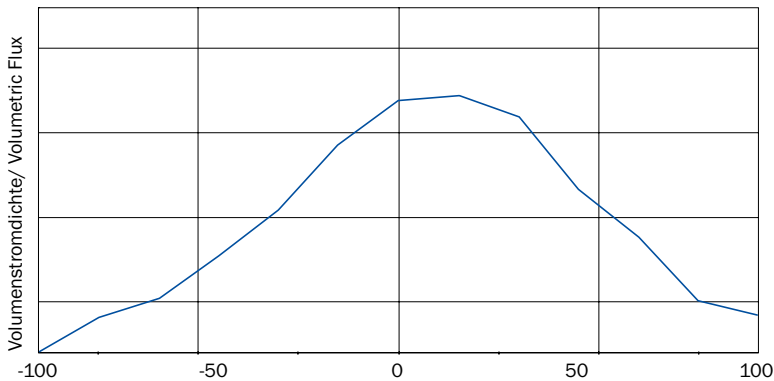
雾化宽度: 毫米 · Spray width in mm

0/48型喷嘴雾化速度

雾化宽度: 360毫米, 距离: 600毫米
 液体流量: 80升/小时, 液体压力: 0.6 Bar
 雾化空气消耗: 108立方/小时
 雾化空气压力: 5.5 Bar

Velocities of Mod. 0/48

Spray width: 360 mm, distance: 600 mm,
 liquid throughput: 80 l/h, liquid pressure: 0.6 bar (Δp),
 atomization air consumption: 108 Nm³/h,
 atomization air pressure: 5.5 bar (g)



雾化宽度: 毫米 · Spray width in mm

0/48型喷嘴的雾化体积密度

雾化宽度: 360毫米, 距离: 600毫米
 液体流量: 80升/小时, 液体压力: 0.6 Bar
 雾化空气消耗: 108立方/小时
 雾化空气压力: 5.5 Bar

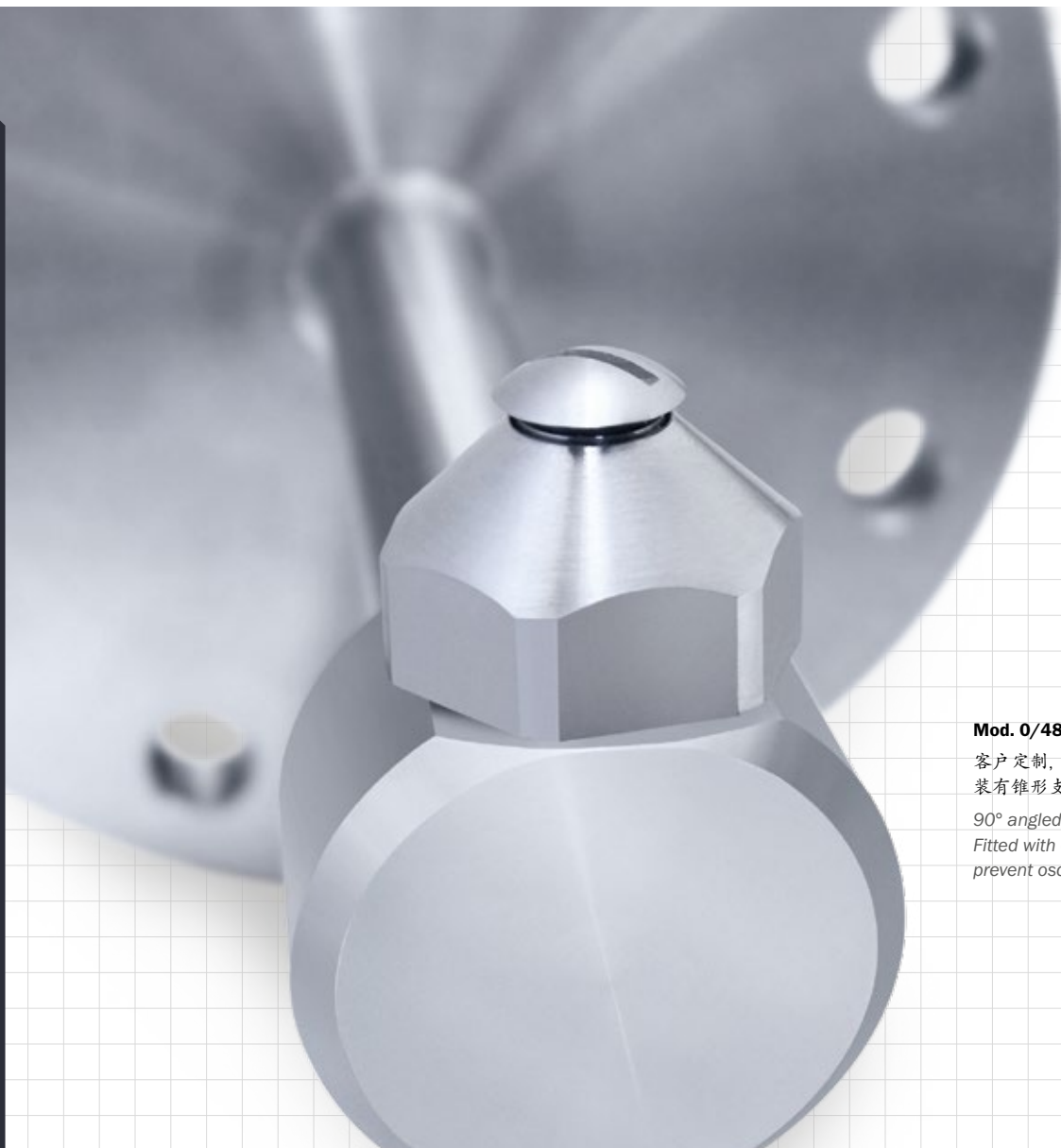
Volume density of Mod. 0/48

Spray width: 360 mm, distance: 600 mm,
 liquid throughput: 80 l/h, liquid pressure: 0.6 bar (Δp),
 atomization air consumption: 108 Nm³/h,
 atomization air pressure: 5.5 bar (g)

客户定制设计 Customized Designs

Mod. 938, 848, 0/28, 0/48

双流体喷嘴/全锥形(伞状喷头)/外混型
Two-Substance Nozzles / Full-Cone (Mushroom Head) / External Mixing



Mod. 0/48 S12

客户定制, 90°设计,
装有锥形支架以防振动。

90° angled custom design.
Fitted with cone supports to
prevent oscillation.

单件或者小批客户定制

作为一家全球领先的喷嘴制造商,
SCHLICK一直为客户提供高质量的标准解决方案

当然, 凭借高精度的制造能力以及丰富的研发经验,
SCHLICK也可根据客户特殊要求进行
设计开发

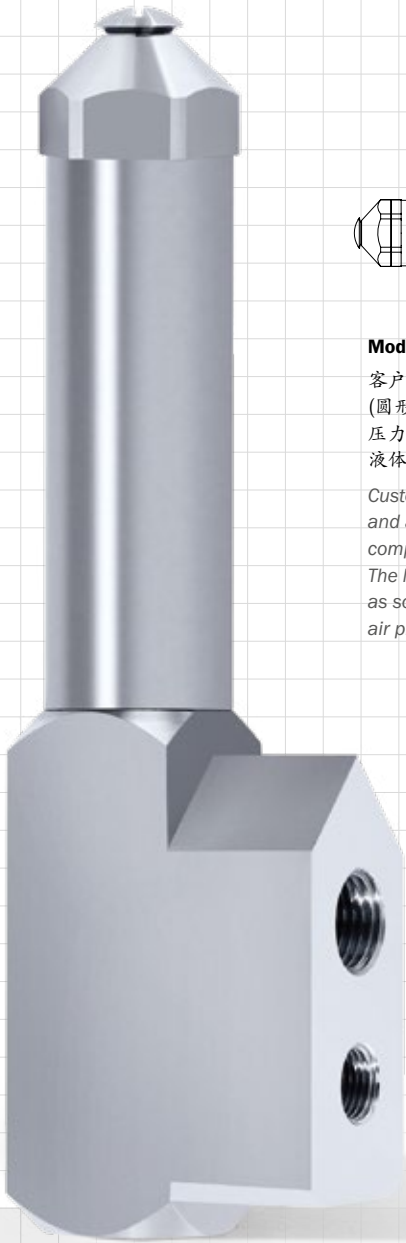
即使客户的需求量少, 交期紧

Custom and individual designs, small series

As a leading nozzle manufacturer, high quality standardised
solutions are business-as-usual for SCHLICK.

However, thanks to the breadth of its manufacturing capacities
and comprehensive expertise, SCHLICK can also produce
custom and individual designs for specific applications.

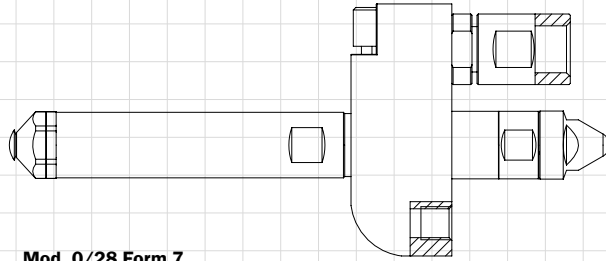
No matter how small the series or short the timeframe.



Mod. 0/28 Form 7

客户定制, 类似设计形式7 (圆形的), 并集成了压力计和压力显示, 当压缩空气通过时, 液体针阀自动打开。

Custom body design 7 (rounded) and an integrated manometer for compressed air pressure display. The liquid valve opens automatically as soon as there is compressed air pressure.



Mod. 0/28 Form 0

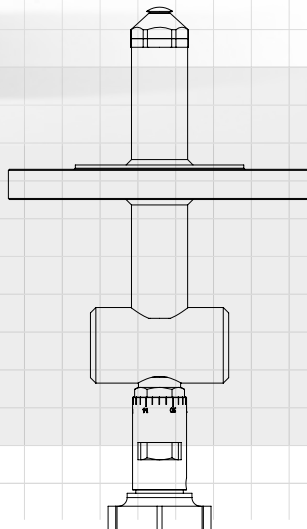
杆子长度和安装方式等根据客户要求定制。

Custom design according to customer specifications regarding shaft and fittings.

Mod. 0/28 Form 0

根据客户设备主体定制, 所有接头和固定都在同一侧。

Designed with a custom attachment body; all attachments are on one side.



Mod. 0/28 Form 5

液体流量控制具备刻度, 能准确设定, 另外杆子长度和法兰可以根据客户要求定制。

Model with liquid regulation and scale. Shaft length and flange available to customer specifications.

产品目录
Product Overview

两液体喷嘴
Two-Substance
Nozzles

防飞溅/零溢流材料技术
ABC/PCA Technique

三/四液体喷嘴
Three-/Four-

多头技术
Multispray

喷嘴杆
Insertion Pipes

喷嘴头
Nozzle Heads

空心锥喷嘴
Full-Cone Nozzles

空心锥喷嘴
Hollow-Cone Nozzles

硬质合金喷嘴
Carbide Nozzles

扁平喷嘴
Flat Spray Nozzles

喷射喷嘴
Smooth-Jet Nozzles

混合喷嘴
Mixing Nozzles

拉瓦尔喷嘴
Laval Nozzles

清洗喷嘴
Cleaning Nozzles

喷嘴附件
Accessories

测试中心
Test Center